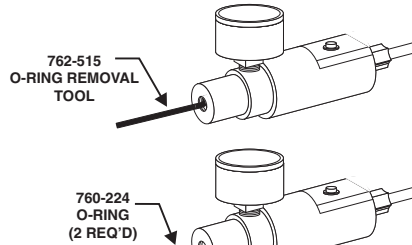
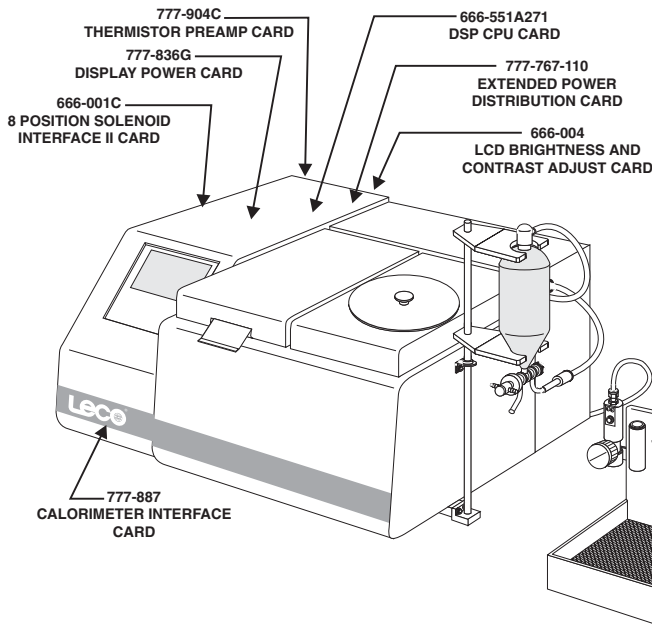


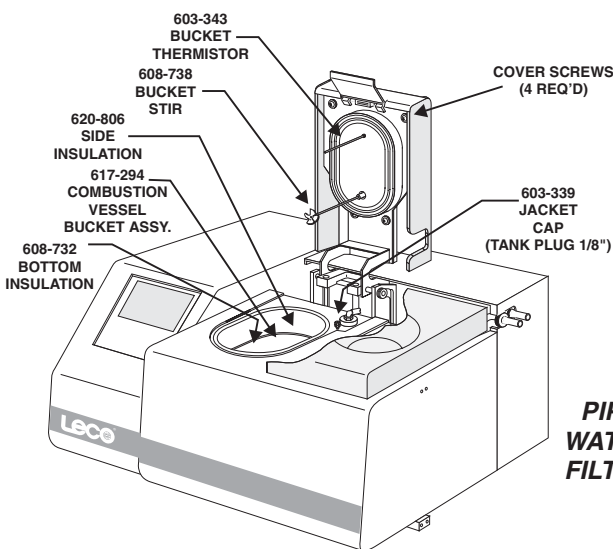
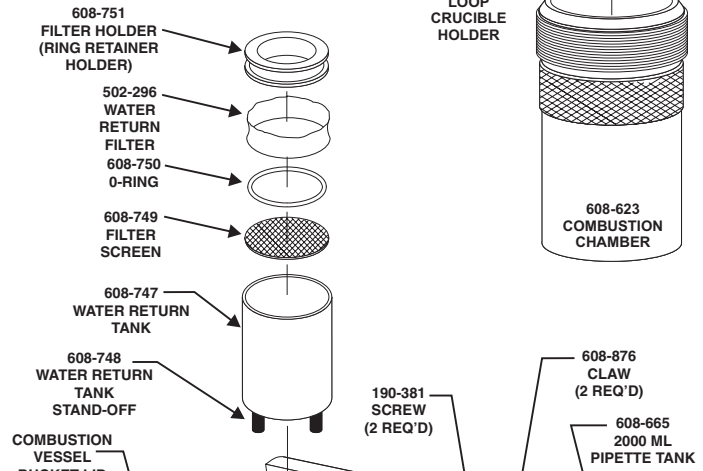
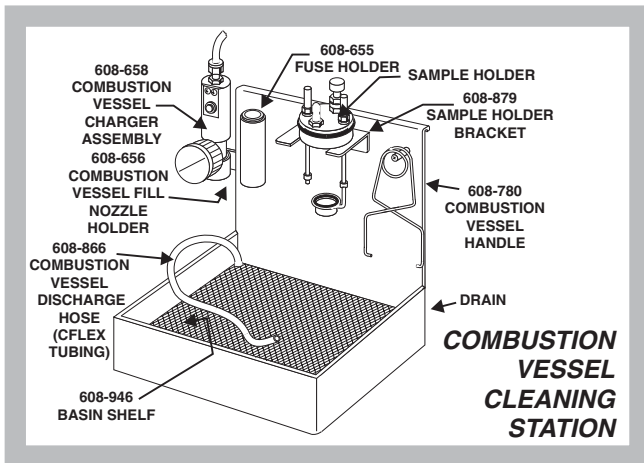
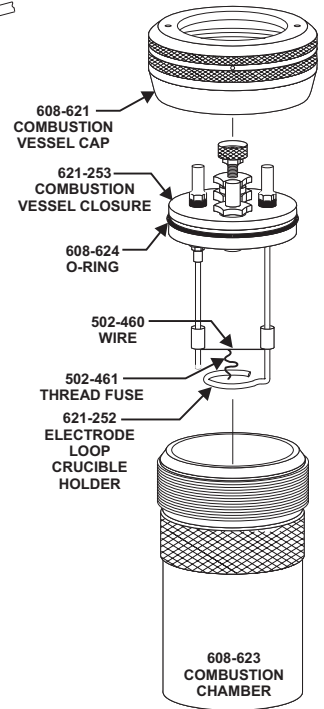


AC-350/500 Consumables & Spares Reference Card

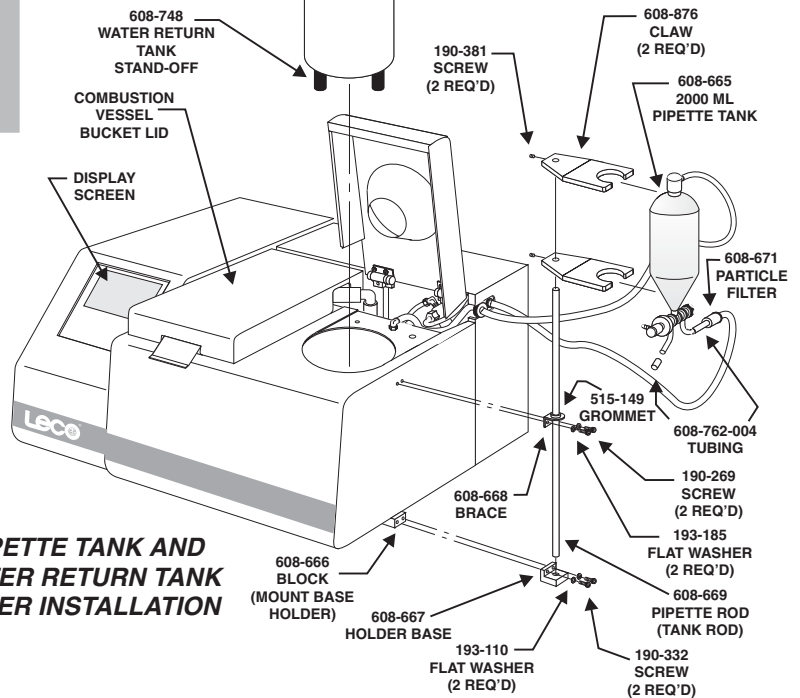
Note: Part numbers and standards' values may change. Consult LECO for the latest information.



COMBUSTION VESSEL FILL NOZZLE (O-RING REPLACEMENT)



THERMISTOR CALIBRATION



PIPETTE TANK AND WATER RETURN TANK FILTER INSTALLATION

See reverse side for contact information

GENERAL COMBUSTION SUPPLIES

774-208 Benzoic Acid Tablets 10/pkg.
774-649 Cleaning Brush Assembly
502-444 Coal Prox Plus High Standard Ref. Matl.
774-204 Crucible 10/pkg.
502-296 Filters 100/pkg.
776-465 Air Filter
608-671 Particle Filter
502-266 Fuse Wire
621-245 Vessel Thread Igniter Kit
621-246 Vessel Wire Igniter Kit
608-778 Fuse (3.15A, 115V)
608-779 Fuse (1.6A, 230V)
608-734 Combustion Vessel Fuse Lead
(Combustion Vessel Harness Assembly)
608-761-002 Bottom Outlet Pipette Tubing
608-762-004 Bottom Pipette Tubing
608-657 5 Feet Replacement Tube
608-749 Screen (Filter)
608-751 Filter Retaining Ring
501-241 Vacuum Grease (Silicone)
502-121 Wetting Agent

OPTIONS

751-300-100 Electronic Balance
751-300-140 Balance Interface Kit
601-483 Paper (500 sheets)
601-480 Dot Matrix Printer

United States:

Ph: 1-800-292-6141
Fax: 269-982-8977

Canada:

Ph: 1-800-268-0215
Fax: 905-564-6582

represented by:

Other Countries:

Ph: 269-983-5531
Fax: 269-983-3850