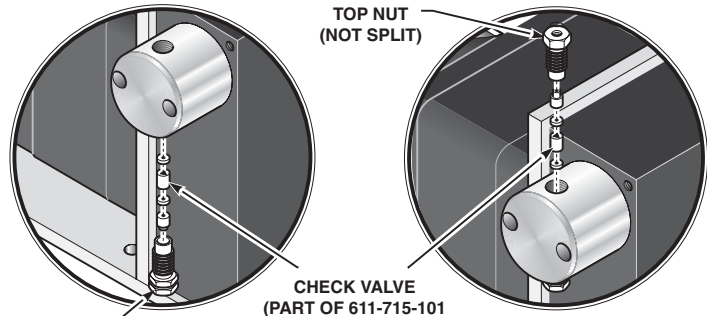
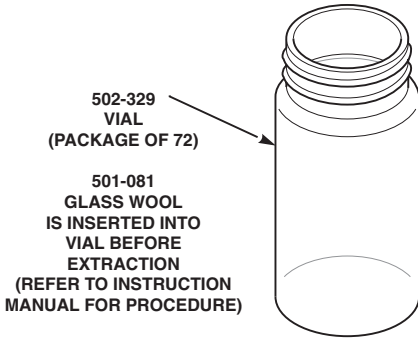




# TFE2000 Consumables & Spares Reference Card

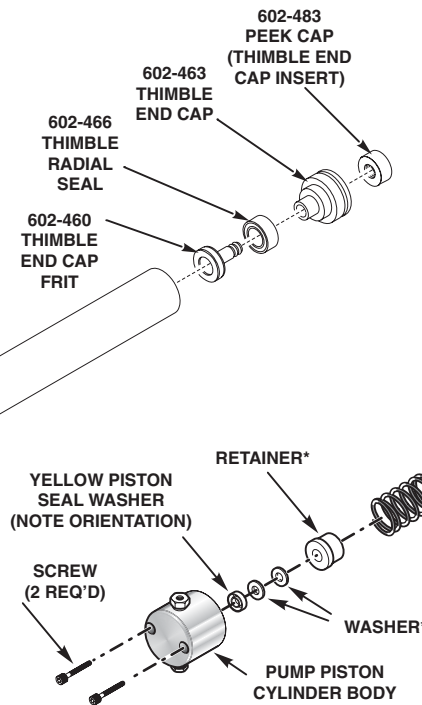
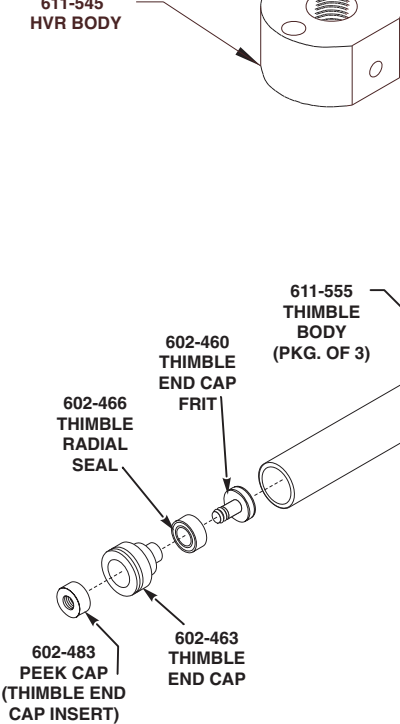
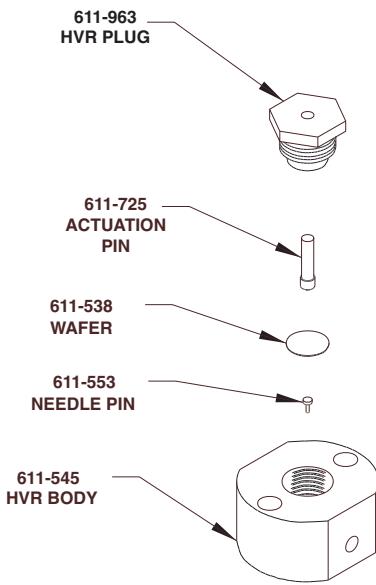
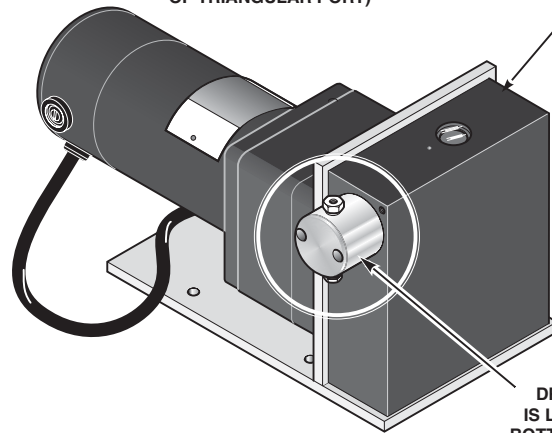
Note: Part numbers and standards' values may change. Consult LECO for the latest information.



BOTTOM NUT  
(SPLIT NUT)  
MUST BE AT  
BOTTOM OF  
PUMP PISTON  
CYLINDER BODY  
(SIDE WITH  
DRAIN SLOT)

616-467  
HIGH PRESSURE  
PUMP

616-315  
HIGH PRESSURE  
PUMP  
FOR M2000



\*PART OF 611-715-102  
PUMP SEAL  
REPLACEMENT KIT

See reverse side for contact information

**CONSUMABLES**

501-081 Glass Wool, 454 g (1 lb.) box  
 611-553 HVR Needle Pins  
 611-538 HVR Wafers  
 502-327 LECO-Dry, 454 g (1 lb.)  
 611-715-101 Pump Check Valve Replacement Kit  
 611-715-102 Pump Seal  
 502-329 Collection Vial, 72/pkg  
 602-466 Thimble Radial Seal (cap)  
 602-483 Peek Cap (thimble end cap insert)  
 502-369 Kimwipes®

**SPARES**

611-539 HVR Assembly  
 611-963 HVR Plug  
 611-725 Actuation Pin  
 611-545 HVR Body  
 203-913 Paper, Inkjet (500 sheets)  
 601-483 Paper, Tractor Feed (500 sheets)  
 601-484 Printer Ribbon (for dot matrix printer)  
 611-984-101 Pump Piston (sapphire)  
 602-460 Thimble End Cap Frit Assembly  
 602-463 Thimble End Cap  
 602-464 Thimble Cap Assembly, 1/pkg  
 602-485 Thimble Cap Assembly, 6/pkg  
 611-277 Thimble Cap, Dummy  
 611-555 Thimble Body, 3/pkg  
 616-467 High Pressure Pump with Switch  
 616-315 High Pressure Pump with Switch (for M2000)

**OPERATION ACCESSORIES**

501-439 Paraffin Sample, 118 ml.  
 611-842 Beaker, 50 ml.  
 611-898 Brush (Modified)  
 602-467 Funnel  
 502-213 Leak Detection Solution, 4 oz.  
 611-890 Sample Rack (thimble holder)  
 611-843 Scoop, Metal  
 776-978 Scoop, Glass  
 611-844 Spoon, Stainless Steel  
 611-815 Tray Assembly Rack  
 611-864 Wrench (for stainless steel tubing)

**OPTIONS**

751-300-140 Balance and Interface Kit  
 701-557 Computer Monitor, 15 inch  
 710-492 Computer Monitor, 17 inch  
 700-689 Printer Cable Assembly  
 601-480-110 Dot Matrix Printer Kit, 115 VAC  
 611-298-110 Dot Matrix Printer Kit, 230 VAC  
 615-943 CGA34 Gas Regulator, 500 psi  
 620-630-110 Inkjet Printer Kit  
 605-980 Keyboard  
 603-600-310 PC Option with Software, Interface Card,  
 Interface Cable, and Monitor  
 603-600-500 M2000 Modifier Addition System

*NOTE: Part numbers and standards' values may change.  
 Consult LECO for latest information.*

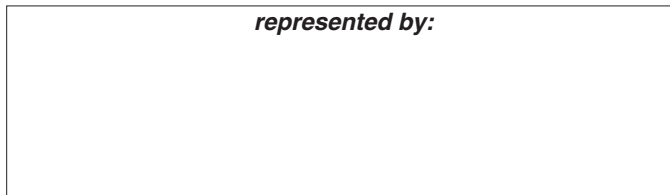
**United States:**

**Ph: 1-800-292-6141**  
**Fax: 269-982-8977**

**Canada:**

**Ph: 1-800-268-0215**  
**Fax: 905-564-6582**

*represented by:*

**Other Countries:**

**Ph: 269-983-5531**  
**Fax: 269-983-3850**