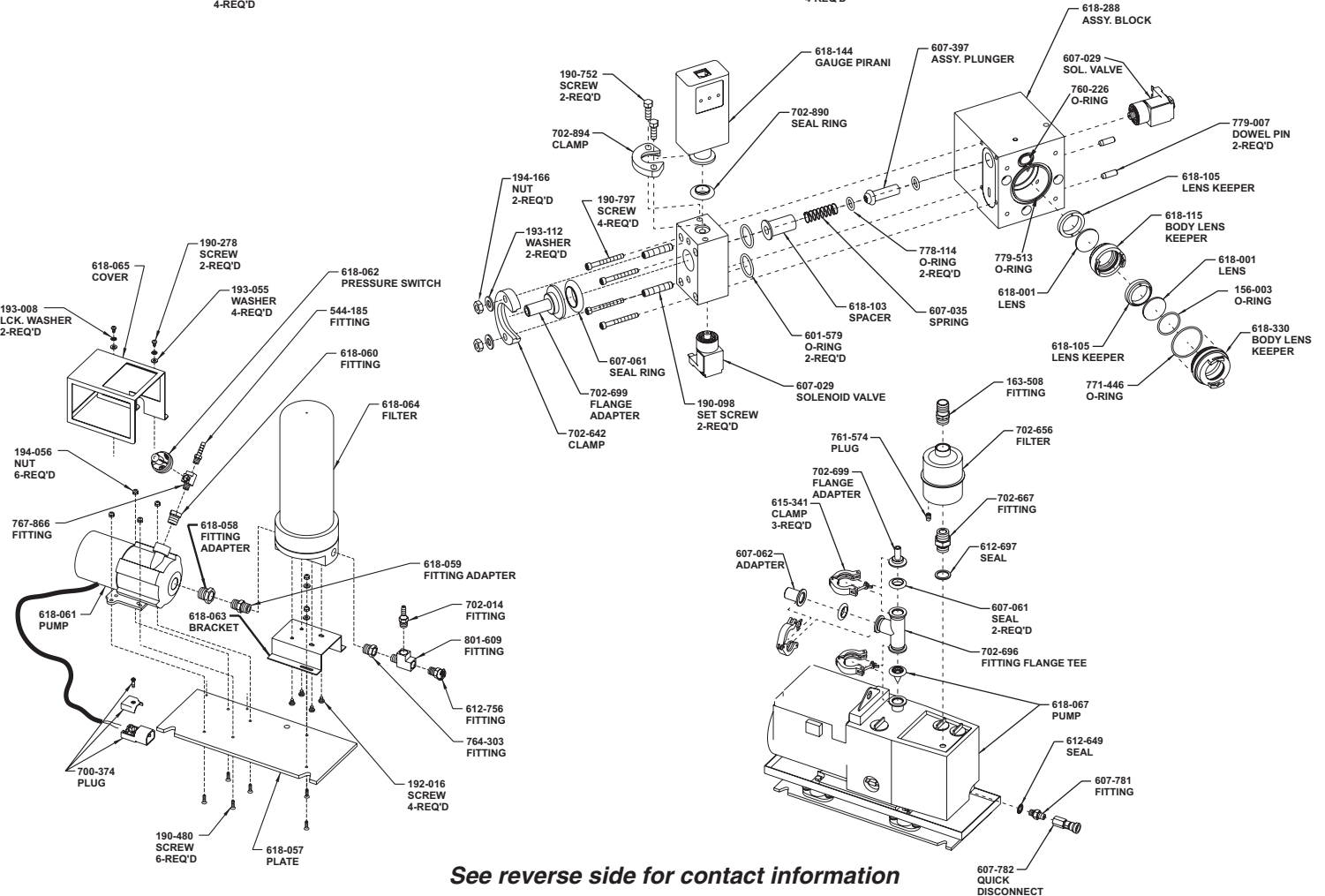
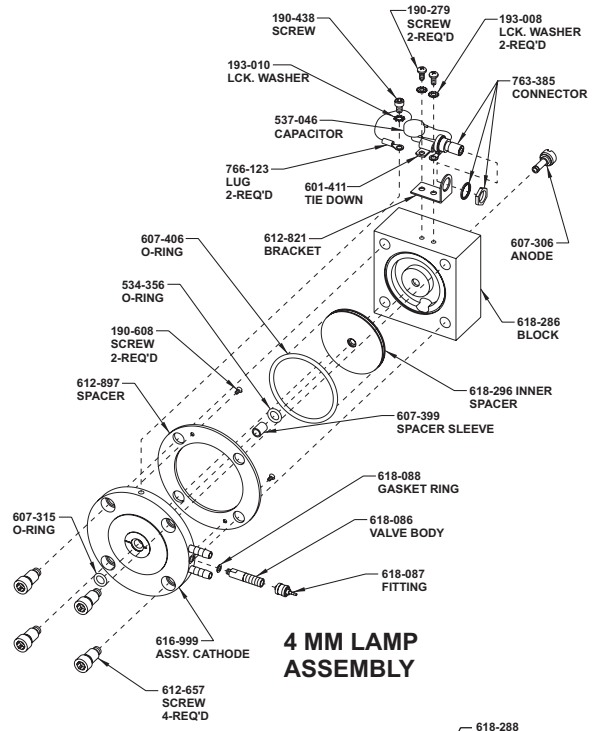
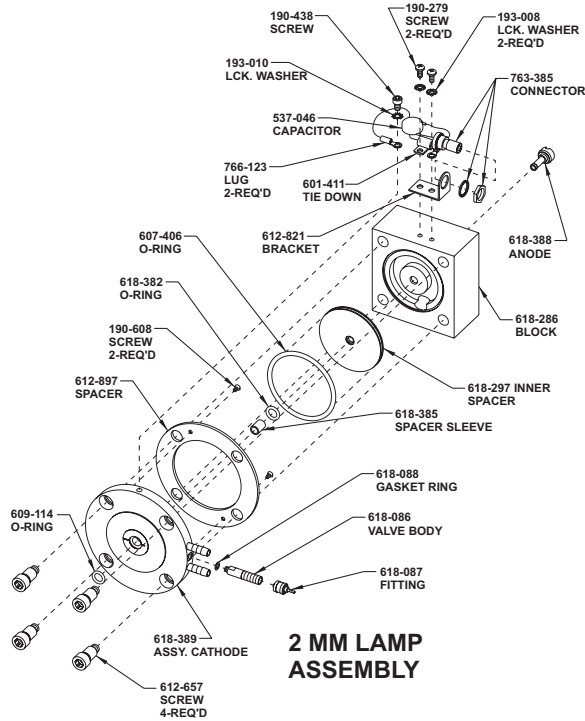




GDS500A Consumable & Spares Reference

Note: Part numbers and standards' values may change. Consult LECO for the latest information.



See reverse side for contact information

CONSUMABLES

502-237 Foam Wipes (25/pkg)
534-356 Inner Sleeve O-ring (red)
203-913 Printer Paper (5000 sheets)
607-306 Anode, 4 mm
607-315 Outer Sleeve O-ring (blue)
607-399 Lamp Sleeve, 4 mm
607-401 Reamer/Facer Bit Assembly, 4 mm
618-296 Inner Spacer
618-297 Inner Spacer 2 mm (tiny)
607-406 Ceramic Spacer O-ring (red)
156-003 Lens to Keeper O-ring
779-377 Vacuum Pump Oil (400 ml)
910-000-105 Lens Cleaning Tissue
612-899 Drill Bit, 4 mm
612-657 Screw Fastener Lamp Delrin
615-797 Swab, Cotton 6"
607-437 Water Tubing, 1 ft. (NOTE: 10 ft. required)

SPARES

618-229 Lamp Rebuild Kit; Includes (2) 190-608 Screw, (2) 534-356 O-ring, (2) 607-315 O-ring, (2) 607-399 Sleeve Lamp 4 mm, (1) 618-296 Inner Spacer, (1) 607-406 O-ring, (2) 607-768 Anode Removable 2 mm, (1) 607-769 Assy Reamer/Facer 2 mm, (4) 612-657 Screw Fastener Lamp Delrin, (1) 612-897 Spacer Front Lamp 98
618-228 Lamp Rebuild Kit, 4 mm Lamp; Includes (2) 190-608 Screw, (2) 534-356 O-ring Internal Lamp, (2) 607-306 Anode 4 mm Removable, (2) 607-315 O-ring Blue Lamp Face, (2) 607-399 Ceramic Sleeve, (1) 607-401 Reamer/Facer Assy, (1) 618-296 Inner Spacer, (1) 607-406 O-ring Large, (4) 612-657 Screw Fastener Lamp Delrin, (1) 612-897 Spacer Front Lamp
618-158 O-ring Package; Includes (1) 156-003 Lens Holder Lamp Side, (1) 534-356, Inside Ceramic Sleeve, (2) 601-579 Vacuum Block/Lens Block, (4) 607-315 Lamp Outer, (1) 607-406 Ceramic Spacer (Big), (1) 760-226 Slot on Lens Block, (1) 771-446 Outside Lens Holder—Lamp Side, (2) 778-114 Poppet Valve, (1) 779-513 Between Lamp Block and Lens Block

OPTIONS

607-768-110 2 mm Anode Kit, DC
612-933 Reamer (Drill Kit) - Soft Materials (4 mm Source)
612-708 Sample Holder Assembly, 2 mm, Wires
612-798 Sample Holder Assembly, 13 mm, Briquettes
612-774 Sample Holder Assembly, Porous Samples
612-775 Sample Holder Assembly, TRS Bar Holder
259-030 Least Cost Charge Software
607-769 Reamer Assembly, 2 mm
259-037 Alloy ID Software Kit
618-390 2 mm Small Lamp Kit (6 mm O-ring)

TOOLS

612-399 Anode Depth Gauge
617-274 Anode Alignment/Sleeve Removal Tool
612-799 Sleeve Removal Tool
607-312 Magnetic Sample Holder
618-241 Nut Removal Tool
618-156 Tool Kit; Includes (1) 607-301 Allen Wrench Set—Hexadecimal, (1) 607-308 Anode Tool 4 mm, (1) 607-309 Reamer Tool 4 mm, (1) 607-609 Allen Wrench Set—Hexadecimal (Metric), (1) 607-791 Pump Drain Tube, (1) 612-599 Reamer Alignment Tool 4 mm, (1) 612-772 Water Drain Tube, (1) 618-102 Lens Removal Tool, (1) 618-153 Water Fill Tool, (1) 769-491 Adjustable Wrench—8.0 inch
619-884 Anode Alignment Tool

PRINTER CARTRIDGES

611-227 HP-600, Black
611-228 HP-600, Color
614-459 HP-700/800, Black
614-460 HP-700/800, Color
620-632 HP-950, Color
601-484 Printer Ribbon, Dot Matrix

TOOLS FOR 2 mm SMALL (6 mm O-Ring)

607-771 Alignment Tool
618-383 Anode Tool
619-884 Alignment Tool
619-885 Small Sleeve Removal Tool

NOTE: Part numbers and standards' values may change. Consult LECO for latest information.

United States:

Ph: 1-800-292-6141
Fax: 269-982-8977

Canada:

Ph: 1-800-268-0215
Fax: 905-564-6582

represented by:

Other Countries:

Ph: 269-983-5531
Fax: 269-983-3850